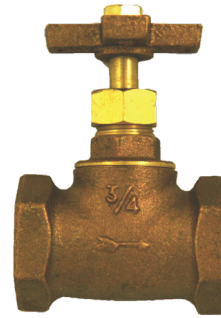




Spec Sheet: Brass Stop Valve (STP)

Features

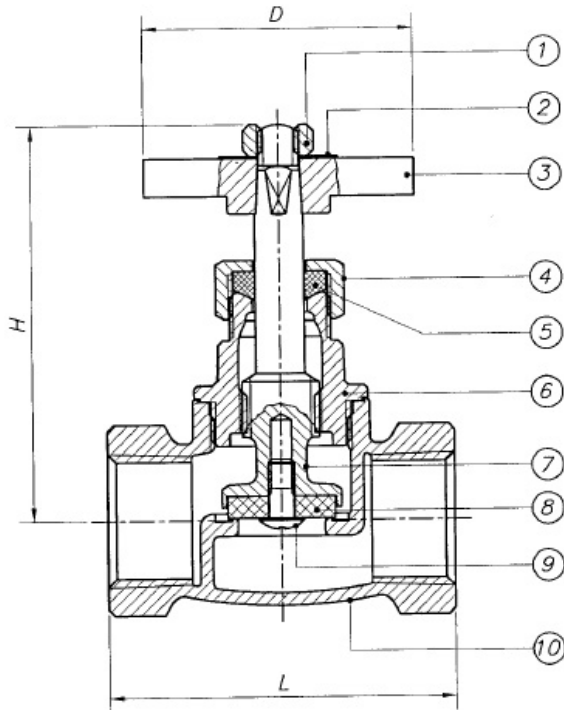
- Temperature Rating 180° F
- Pressure Rating 125 PSI WWP, Non Shock



STP

Dimensions (mm)

Size	D	H	L
1/2"	42	62	54
3/4"	42	62	56



Material Specification

No.	Parts	Materials
1	Wheel Nut	Hot Rolled SAE 1010R
2	Name Plate	Aluminum A1100
3	Cross Handle	Brass C85700
4	Packing Nut	Brass C37700
5	Gland Packing	Graphite LK 33 NAFG Teflon Polyflon PTFE M-392 Rubber (NBR) SN-919F
6	Bonnet	Brass C85700
7	Stem	Brass C85700
8	Seat Packing	Rubber (NBR) SN-919F
9	Seat Screw	Brass C26000
10	Body	Brass C85700



WARNING: This product can expose you to chemicals including Lead, which are known to the State of California to cause cancer and birth defects or other reproductive harm. For more information go to: www.P65Warnings.ca.gov
Wash hands after handling.