



# Spec Sheet: Stainless Steel Street Elbow (SS90°)

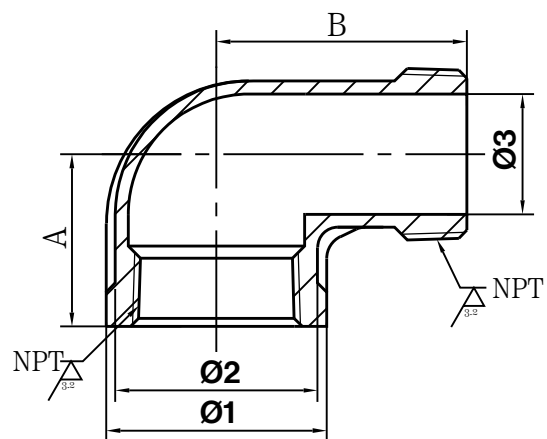
## Features

- Low Maintenance
- Compact and space-saving
- Durable
- Available in a variety of sizes



## Dimensions (mm)

ITEM	SIZE	Ø1	Ø2	Ø3	A	B
SS90-018	1/8"	15.5	13.5	5.2	17.0	25.0
SS90-014	1/4"	18.5	15.5	7.6	20.0	28.0
SS90-038	3/8"	22.0	19.0	10.0	23.0	38.0
SS90-050	1/2"	28.0	25.0	13.6	28.0	42.0
SS90-075	3/4"	34.0	31.0	18.8	32.0	46.0
SS90-100	1"	42.5	39.5	26.3	37.5	53.0
SS90-125	1-1/4"	51.0	48.0	34.4	43.5	62.0
SS90-150	1-1/2"	58.0	55.0	40.3	46.5	68.5
SS90-200	2"	71.0	68.0	51.1	60.5	84.0
SS90-250	2-1/2"	85.0	82.0	60.0	65.0	104.0
SS90-300	3"	102.0	99.0	75.3	76.0	112.0
SS90-400	4"	130.0	126.0	98.0	96.5	127.5



PRESSURE & TEMPERATURE RATING	
Temperature °F (°C)	Class 150, PSIG
-20 to 150 (-29 to 66)	300
200(93)	265
250 (121)	225
300(149)	185
350(177)	150

Linear dimensional tolerances for castings ISO 8062 (GB/T 6414)										
Limit deviation	Basic size segment									
	0~10	>10~16	>16~25	>25~40	>40~63	>63~100	>100~160	>160~250	>250~400	>400~630
CT8	±0.5	±0.55	±0.6	±0.65	±0.7	±0.8	±0.9	±1.0	±1.1	±1.3