



Spec Sheet: Stainless Steel Plug (SPLUG)

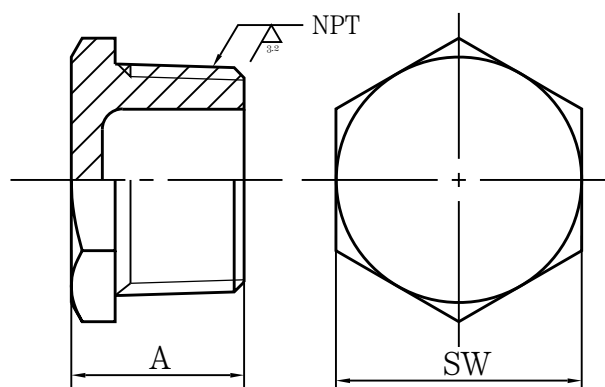
Features

- Dependable and durable
- Versatile Compatibility
- Easy installation
- Available in various sizes



Dimensions (mm)

ITEM	SIZE	A	SW
SPLUG-018	1/8"	18.0	14.0
SPLUG-014	1/4"	23.0	17.0
SPLUG-038	3/8"	23.5	20.5
SPLUG-050	1/2"	26.5	26.0
SPLUG-075	3/4"	27.5	32.0
SPLUG-100	1"	34.5	38.0
SPLUG-125	1-1/4"	35.0	46.0
SPLUG-150	1-1/2"	36.5	52.5
SPLUG-200	2"	37.0	65.5
SPLUG-250	2-1/2"	48.0	80.5
SPLUG-300	3"	51.0	95.0
SPLUG-400	4"	51.0	121.5



PRESSURE & TEMPERATURE RATING	
Temperature °F (°C)	Class 150,PSIG
-20 to 150 (-29 to 66)	300
200(93)	265
250 (121)	225
300(149)	185
350(177)	150

Linear dimensional tolerances for castings ISO 8062 (GB/T 6414)										
Limit deviation	Basic size segment									
	0~10	>10~16	>16~25	>25~40	>40~63	>63~100	>100~160	>160~250	>250~400	>400~630
CT8	±0.5	±0.55	±0.6	±0.65	±0.7	±0.8	±0.9	±1.0	±1.1	±1.3