

# Brass Compression Union (SCU)

## Features

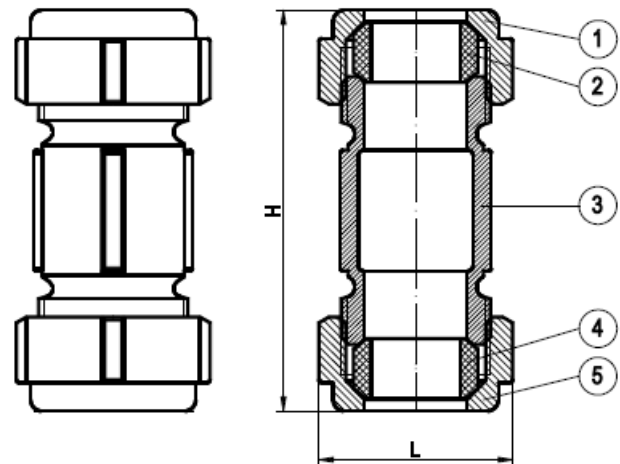
- Heavy duty brass construction
- Smooth casting quality and full-sized waterways for maximum flow efficiency and minimum pressure loss
- High temperature seal ring
- Also available lead-free



SCU

## DIMENSIONS (mm)

Part#	Size	H	L
SCU-1	3/8" IPS or 1/2" C x 3" L	70.4	34
SCU-2	1/2" IPS or 3/4" C x 3" L	72.5	39.5
SCU-3	3/4" IPS or 1" C x 3" L	76.7	49.5
SCU-4	1" IPS or 1 1/4" C x 3" L	73.8	56.3
SCU-5	1 1/4" IPS or 1 1/2" C x 3" L	80.6	65.5
SCU-6	1 1/2" IPS or N/A x 3" L	91.7	71.5
SCU-14	2" IPS or N/A x 3" L	-	-
SCU-7	3/8" IPS or 1/2" C x 5" L	121	34
SCU-8	1/2" IPS or 3/4" C x 5" L	124	39.5
SCU-9	3/4" IPS or 1" C x 5" L	127.6	49.5
SCU-10	1" IPS or 1 1/4" C x 5" L	126.5	56.3
SCU-11	1 1/4" IPS or 1 1/2" C x 5" L	126.6	65.5
SCU-12	1 1/2" IPS or N/A x 5" L	131.5	71.5
SCU-13	2" IPS or N/A x 5" L	131	83



## NOMENCLATURE AND MATERIALS

NO	PARTS	MATERIALS
1	PACKING NUT	BRASS B584 C85710/C85700
2	PACKING	SE-719F / SN -719F
3	BODY	BRASS B584 C85710/C85700
4	PACKING	SE-719F / SN -719F
5	PACKING NUT	BRASS B584 C85710/C85700