

Features

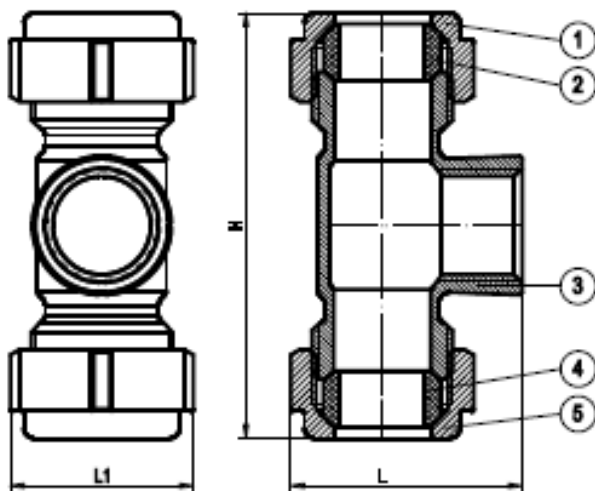
- Heavy duty brass construction
- Smooth casting quality and full-sized waterways for maximum flow efficiency and minimum pressure loss
- High temperature seal ring
- Also available lead-free



SCT

DIMENSIONS (mm)

Part#	Fits Size	H	L	L1
SCT-1	3/8" IPS or 1/2" C x 1/2" NPT	79	43	34
SCT-2	1/2" IPS or 3/4" C x 3/4" NPT	85.7	49.3	39.5
SCT-3	3/4" IPS or 1" C x 1/2" NPT	84.6	56.8	49.5
SCT-4	3/4" IPS or 1" C x 3/4" NPT	91.1	57.8	49.5
SCT-5	3/4" IPS or 1" C x 1" NPT	95.6	49.5	61.3
SCT-6	1" IPS or 1 1/4" C x 1" NPT	96.7	65.1	56.3
SCT-7	1 1/4" IPS or 1 1/2" C x 1 1/4" NPT			
SCT-8	1 1/2" IPS or N/A x 1 1/2" NPT			



NOMENCLATURE AND MATERIALS

NO	PARTS	MATERIALS
1	PACKING NUT	BRASS B584 C85710/C85700
2	PACKING	SE-719F / SN-719F
3	BODY	BRASS B584 C85710/C85700
4	PACKING	SE-719F / SN-719F
5	PACKING NUT	BRASS B584 C85710/C85700