



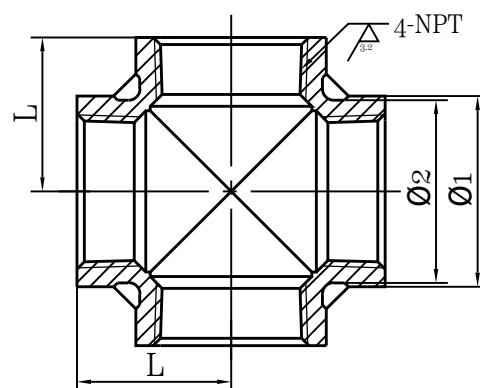
Spec Sheet: Stainless Steel Cross (SCRS)

Features

- 4 Way Connection
- Durable
- Low Maintenance
- Available in a variety of sizes

Dimensions (mm)

ITEM	SIZE	Ø1	Ø2	L
SCRS-018	1/8"	15.5	13.5	17.0
SCRS-014	1/4"	18.5	15.5	19.0
SCRS-038	3/8"	22.0	19.0	22.0
SCRS-050	1/2"	28.0	25.0	28.0
SCRS-075	3/4"	34.0	31.0	31.0
SCRS-100	1"	42.5	39.5	35.0
SCRS-125	1-1/4"	51.0	48.0	43.5
SCRS-150	1-1/2"	58.0	55.0	47.5
SCRS-200	2"	71.0	68.0	56.0
SCRS-250	2-1/2"	85.0	82.0	67.5
SCRS-300	3"	102.0	99.0	77.5
SCRS-400	4"	130.0	126.0	95.0



PRESSURE & TEMPERATURE RATING	
Temperature °F (°C)	Class 150, PSIG
-20 to 150 (-29 to 66)	300
200(93)	265
250 (121)	225
300(149)	185
350(177)	150

Linear dimensional tolerances for castings ISO 8062 (GB/T 6414)										
Limit deviation	Basic size segment									
	0~10	>10~16	>16~25	>25~40	>40~63	>63~100	>100~160	>160~250	>250~400	>400~630
CT8	±0.5	±0.55	±0.6	±0.65	±0.7	±0.8	±0.9	±1.0	±1.1	±1.3

