



Spec Sheet: Stainless Steel 45° Elbow (S45)

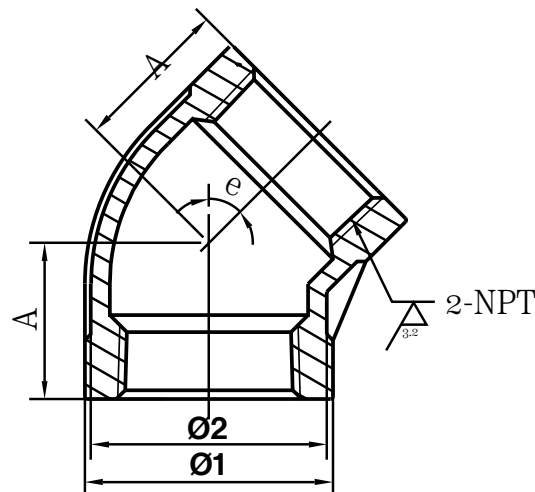
Features

- Tough and reliable
- Easy install
- Available in a variety of sizes



Dimensions (mm)

ITEM	SIZE	Ø1	Ø2	A
S45-018	1/8"	16.0	14.0	19.0
S45-014	1/4"	18.0	16.0	19.0
S45-038	3/8"	22.5	19.5	19.0
S45-050	1/2"	30.0	27.5	21.5
S45-075	3/4"	35.0	33.0	23.0
S45-100	1"	44.5	41.5	27.5
S45-125	1-1/4"	52.0	49.0	32.0
S45-150	1-1/2"	59.5	57.0	35.5
S45-200	2"	72.0	68.5	42.5
S45-250	2-1/2"	90.5	87.0	46.5
S45-300	3"	107.0	102.5	53.0
S45-400	4"	133.5	128.5	65.5



PRESSURE & TEMPERATURE RATING	
Temperature °F (°C)	Class 150,PSIG
-20 to 150 (-29 to 66)	300
200(93)	265
250 (121)	225
300(149)	185
350(177)	150

Linear dimensional tolerances for castings ISO 8062 (GB/T 6414)										
Limit deviation	Basic size segment									
	0~10	>10~16	>16~25	>25~40	>40~63	>63~100	>100~160	>160~250	>250~400	>400~630
CT8	±0.5	±0.55	±0.6	±0.65	±0.7	±0.8	±0.9	±1.0	±1.1	±1.3