



# Spec Sheet: Log Lighters (LLSV & LLAV)

## Features

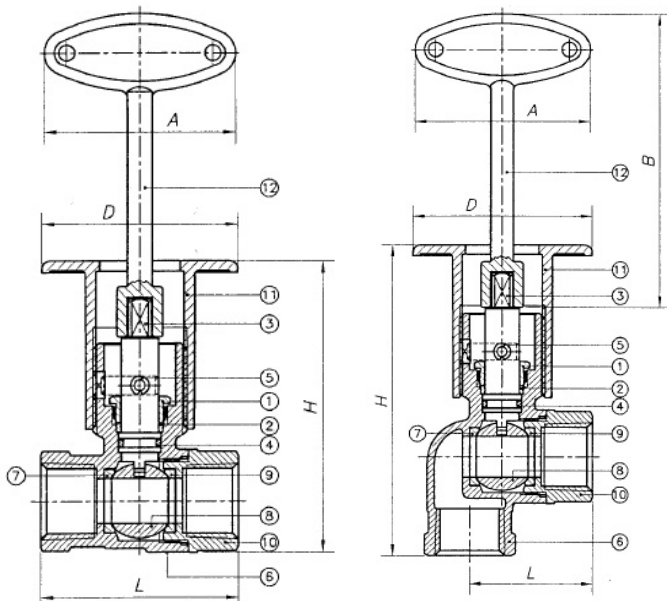
- For natural, manufactured and mixed gas, liquefied petroleum (LP) gases and LP gas air mixtures
- Pressure Max. 1/2 PSIG
- Temperature of 32° F to 125° F



LLSV



LLAV



## Dimensions (mm)

Part #	A	B	D	L	H
LLSV	53.8	90.7	55	55.4	76
LLAV	53.8	90.7	55	37.6	92.5

## Material Specification

No.	Parts	Materials
1	Packing Nut	Brass C37700
2	Packing	Teflon Polyflon PTFE M-392
3	Stem	Brass C37700
4	O Ring	Rubber (NBR) SN-919F
5	Pin	Stainless Steel 304
6	Body	Brass C85700
7	Packing	Teflon Polyflon PTFE M-392
8	Ball	Brass C37700
9	Ball Packing	Teflon Polyflon PTFE M-392
10	Bonnet	Brass C85700
11	Cover	Zinc Z30A
12	T-Handle	Zinc Z30A

## Capacity

Part #	BTU / HR	PSI
LLAV-050	150	1/2
LLSV-050	350	1/2
LLSV-075	525	1/2



**WARNING:** This product can expose you to chemicals including Lead, which are known to the State of California to cause cancer and birth defects or other reproductive harm. For more information go to: [www.P65Warnings.ca.gov](http://www.P65Warnings.ca.gov)  
Wash hands after handling.