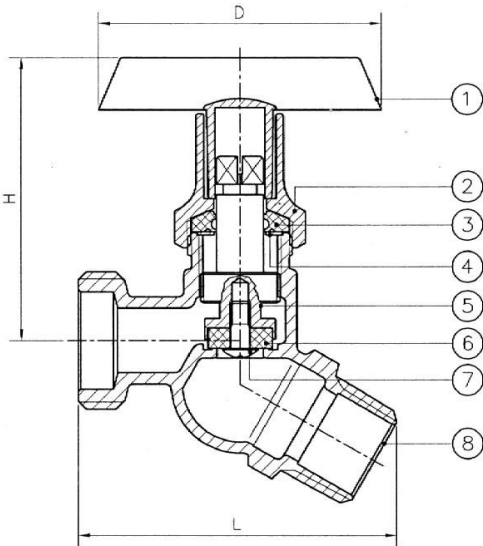




# Spec Sheet: Hose Bibb - Loose Key Handle MIP x 3/4" MHT (HB-ML)

## FEATURES

- Durable brass construction
- Full flow inlet and outlet
- No-kink configuration
- Temperature Rating: 180° F
- Available in 1/2" and 3/4" sizes
- Pressure Rating: 125PSI WWP; Non-Shock



## MATERIAL SPECIFICATION

| No. | Parts        | Materials             | Water Contact |
|-----|--------------|-----------------------|---------------|
| 1   | Handle       | Zinc (Z30A)           | No            |
| 2   | Bonnet       | Brass Rod - C37700    | No            |
| 3   | Packing      | Rubber (NBR) SN-719F  | Yes           |
| 4   | Washer       | Stainless Steel (304) | Yes           |
| 5   | Stem         | Brass Rod - C37700    | Yes           |
| 6   | Seat Packing | Rubber (NBR) SN-819F  | Yes           |
| 7   | Screw        | Forged Brass - C26000 | Yes           |
| 8   | Body         | Cast Brass - C85700   | Yes           |

| Item No. | Size | Dimension (mm) |    |    |
|----------|------|----------------|----|----|
|          |      | L              | H  | D  |
| HB-050ML | 1/2" | 62             | 55 | 55 |
| HB-075ML | 3/4" | 64             | 55 | 55 |



**WARNING:** This product can expose you to chemicals including Lead, which are known to the State of California to cause cancer and birth defects or other reproductive harm. For more information go to: [www.P65Warnings.ca.gov](http://www.P65Warnings.ca.gov)  
Wash hands after handling.