



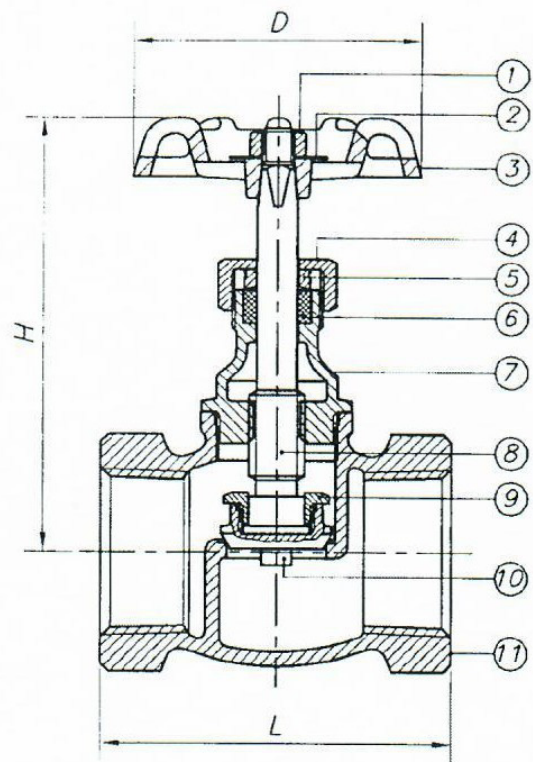
# Spec Sheet: Globe Valve w/ Brass Seat (GLB)

## Features

- NSF Certified
- 200 WOG PSI
- Temperature rating 180 degree F
- Available in 1/2" - 2"



NOMENCLATURE AND MATERIALS				
NO	PARTS	PART NO	MATERIALS	WATER CONTACT
1	WHEEL NUT	MURHDL - B	HOT ROLLED SAE 1010R	N
2	NAME PLATE	PLATMRK - AL	ALUMINIUM A1100	N
3	HANDWHEEL	HDLW - B	CAST IRON JIS Z22202	N
4	PACKING NUT	MURPACK - K	BRASS ROD C37700	N
5	GLAND RING	GLANDR - K ; GB 1 1/4" ~ 2"	BRASS ROD C37700	N
6	GLAND PACKING	GLANDP - GR	GRAPHITE LK 33 NAFG	Y
7	BONNET	TPI - K	CAST BRASS C85700	Y
8	STEM	STNG - K ; GB 1/4" ~ 1"	BRASS ROD C37700	Y
		STNG - K ; GB 1 1/4" ~ 2"	CAST BRASS C85700	
9	LOCKNUT	MURLCK - K, GB 1 1/4" ~ 2"	BRASS ROD C37700	Y
10	DISC	KLP - K ; GB 1/4" ~ 1"	BRASS ROD C37700	Y
		KLP - K ; GB 1 1/4" ~ 2"	CAST BRASS C85700	
11	BODY	BDY - K	CAST BRASS C85700	Y



Item No	Size (FIP)	Dimensions (mm)		
		D	H	L
GLB-050	1/2"	53	68	48
GLB-075	3/4"	54	71	56
GLB-100	1"	63	86	65
GLB-125	1-1/4"	69	110	74
GLB-150	1-1/2"	80	130	84
GLB-200	2"	89.5	153	99.5



**WARNING:** This product can expose you to chemicals including Lead, which are known to the State of California to cause cancer and birth defects or other reproductive harm. For more information go to: [www.P65Warnings.ca.gov](http://www.P65Warnings.ca.gov)  
Wash hands after handling.