



Spec Sheet: Lead Free Bronze Gate Valve (BZGV)

Specifications

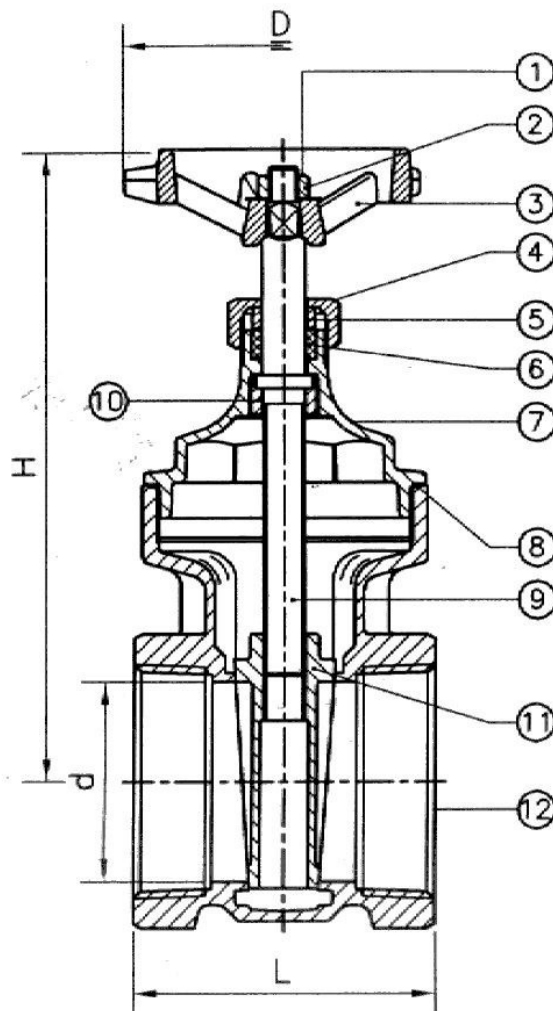
- Temperature Rating: 180°F
- Steam Rating Max: 320°F
- Pressure Rating 200 WOG (Non Shock)
- Threaded Ends

Sizes

- BZGV-075 - 3/4"
- BZGV-100 - 1"
- BZGV-125 - 1 1/4"
- BZGV-150 - 1 1/2"
- BZGV-200 - 2"
- BZGV-250 - 2 1/2"
- BZGV-300 - 3"
- BZGV-400 - 4"

MATERIAL SPECIFICATION

No.	Parts	Materials	Water Contact
1	Nut	Hot Rolled SAE 1010R	No
2	Name Plate	Aluminum A1100	No
3	Handle	Cast Iron JIS ZZ2202	No
4	Packing Nut	Brass Rod C37700	No
5	Gland Ring	Brass Rod C37700	No
6	Packing	Teflon Polyflon PTFE-M 392	Yes
7	Bonnet	Cast Bronze C89844 MOD	Yes
8	Packing	Fibre	Yes
9	Stem Sizes 1/2" - 2"	Brass Rod C46400	Yes
9	Stem Sizes 2 1/2" - 4"	Cast Bronze C89544 MOD	Yes
10	Lock Nut	Brass Rod C46400	Yes
11	Disc	Cast Bronze C89844 MOD	Yes
12	Body	Cast Bronze C89844 MOD	Yes



DIMENSIONS

Size	Dimension (mm)			
	L	H	D	d
3/4"	46	84	56	19
1"	54	99	65	25
1 1/4"	57	117	70	32
1 1/2"	62	129	79	38
2"	68	152	94	49
2 1/2"	94	175	102	62
3"	102	216	127	75
4"	115	251	127	92