



# Spec Sheet: Brass Angle Valve (AV)

## Features

- Heavy duty brass construction
- Standard one piece rising swivel with cross or wheel handle
- Efficiently regulates water flow
- Available in low-lead version
- Removable internal assembly for convenient service & cleaning

## Specifications

- Maximum water working pressure: 150 PSI
- Optimal flow: 0 - 190 GPM

## Models

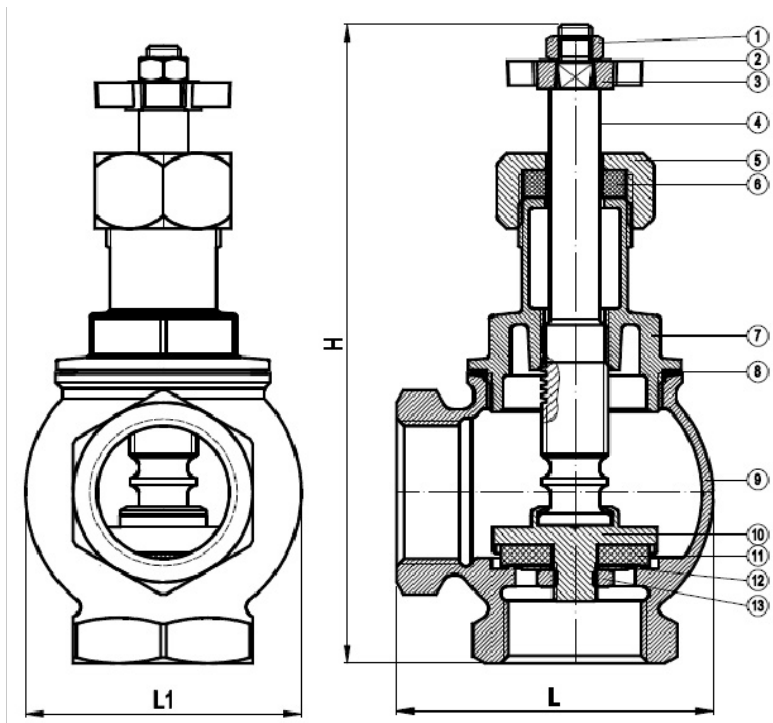
- AV 3/4" - 2" angle valve less union
- AVU 3/4" - 2" angle valve with union
- AVW 3/4" - 2" angle valve less union with wheel handle
- AVUW 3/4" - 2" angle valve with union and wheel handle



AV



AVU



## MATERIAL SPECIFICATION

No.	Parts	Materials
1	Wheel Nut	Hot Rolled Wired Rods
2	Name Plate	Aluminum A 1070
3	Cross Handle	Brass B584
4	Stem	Brass B584
5	Packing Nut	Brass B584
6	Packing	SE-719F / SN-719F
7	Bonnet	Brass B584
8	Washer	Fibre "H"
9	Body	Brass B584
10	Seat House	Brass B584
11	Seat Packing	SE-719F / SN-719F
12	Washer	Brass B124
13	Seat Nut	Brass B124



**WARNING:** This product can expose you to chemicals including Lead, which are known to the State of California to cause cancer and birth defects or other reproductive harm. For more information go to: [www.P65Warnings.ca.gov](http://www.P65Warnings.ca.gov)  
Wash hands after handling.