



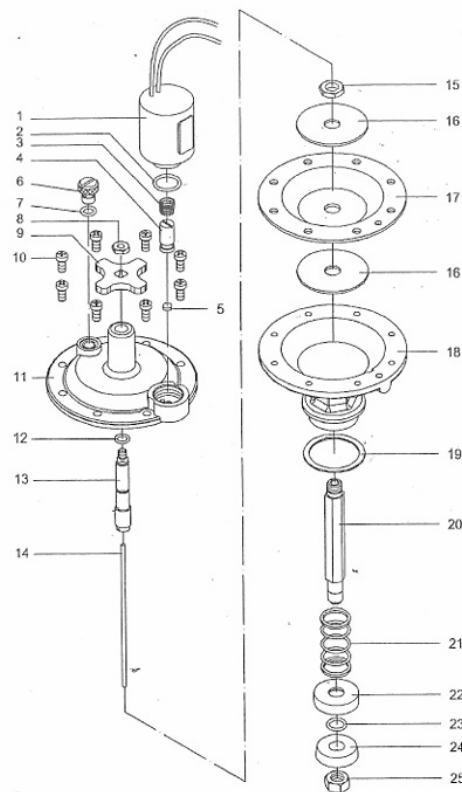
Spec Sheet: Automatic Actuator (AA)

Features

- Fiber reinforced nylon diaphragm with 600lb. burst test ratings
- Heavy duty brass construction
- Flow control with cross handle
- Manual bleed
- 150 PSI pressure rating
- Compatible with several other manufacturer's manual valves
- Replaceable rubber seals
- Can be added to SV, AV, AS bodies - 3/4" and 1" only



No.	Part	Material
1	Solenoid	
2	Solenoid O-ring	NBR
6	Bleed Screw	BRASS
7	Bleed Screw O-ring	NBR
8	Handel Nut	BRASS
9	Cross Handel	ABS
10	Fix Screw	STEEL
11	Upper Saucer	BRASS
12	Control Stem O-ring	NBR
13	Control Stem	BRASS
14	Stem Pim	STEEL
15	Diaphragm Nut	BRASS
16	Diaphragm Washer	STEEL
17	Diaphragm	EP
18	Lower Saucer	BRASS
19	Lower Saucer Gasket	FIBER
20	Automatic Flow Control Stem	BRASS
21	Automatic Flow Control Stem Spring	STEEL
22	Seat Disc	BRASS
23	Disc O-ring	NBR
24	Disc Washer	EP
25	Discwasher Nut	BRASS



Electrical Specifications

- Standard 24 VAC solenoid
- In-rush current: 50A (13.4 VA)
- Holding current: 33 Amps (7.2 VA)

Operating Range: 20 – 150 PSI

Models:

- AA-075 3/4"
- AA-100 1"
- AA-SM-075 3/4"
- AA-SM-100 1"

Parts Available:

- Solenoid
- Bleed Screw
- RK12 Complete 3/4" Repair Kit
- RK13 Complete 1" Repair Kit
- 404 Bleed Screw O-ring
- 405 Solenoid O-ring